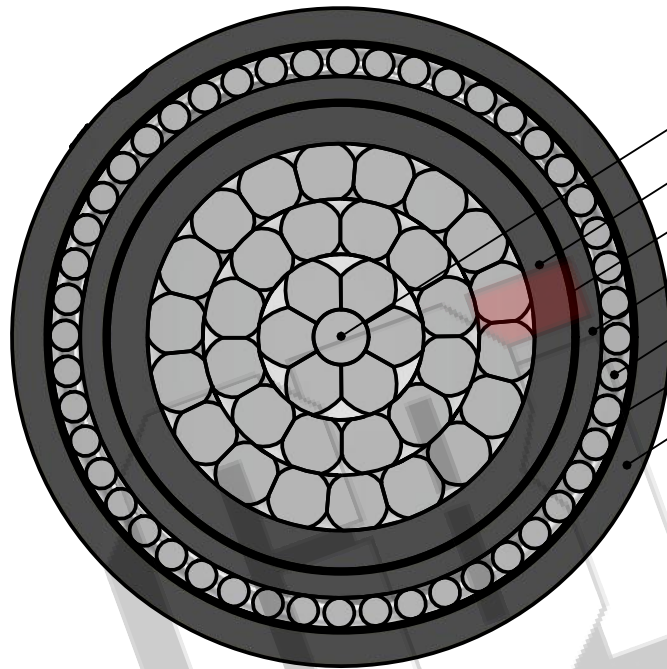
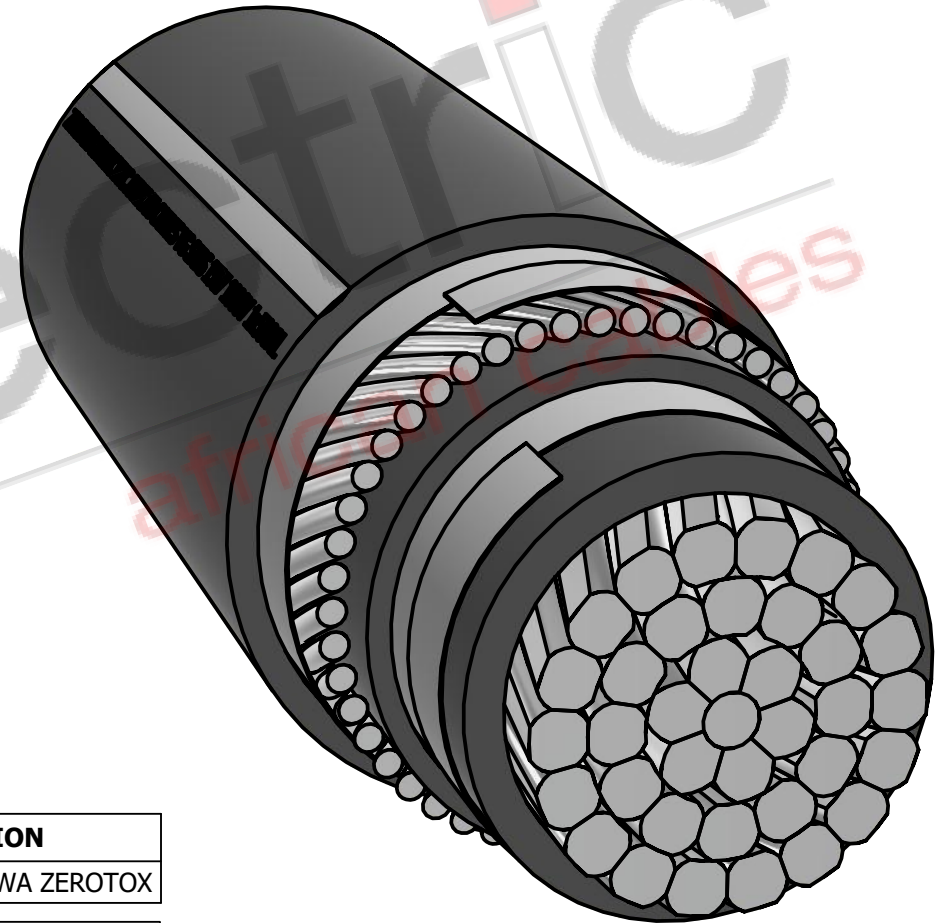


FOR PUBLIC VIEWING ONLY



SECTIONAL VIEW

CONDUCTOR ALUMINIUM  
 LV XLPE INSULATION  
 PPL SEPERATOR TAPE  
 BEDDING  
 ALUMINIUM WIRE ARMOUR  
 PPL BINDING TAPE  
 SHEATH



ISOMETRIC VIEW

NO.	VOLTAGE RATING	SIZE RANGE	FINISH CODE	DESCRIPTION
F6C	600 / 1000V	25 - 1000	343	ZEROTOX AWA ZEROTOX

No.	REVISION	SIGN	DRAWN BY	MARK V GIANI
		DATE		
			DATE	08/03/2019
			CHECKED	
			APPROVED	
			DATE	

**TITLE**  
 LV XLPE INSULATED SINGLE CORE  
 ALUMINUM WIRE ARMoured CABLE  
 SABS 1507

**CABLE CODE**  
 F6CA1\_343

**REV**  
 D1

**POWER BY INNOVATION ... INNOVATION THROUGH PARTNERSHIPS**

PO Box 172, Vereeniging 1930 | Steel Road, Peacehaven, Vereeniging 1939 | South Africa  
 Tel: +27 16 430 6000 | Fax: +27 16 423 6103 | www.cbi-electric.com

A member of the **REUNERT** Group  
 A division of ATC (Pty) Ltd  
 Registration No. 1955/003773/07

**This drawing is the property of CBI electric. Unauthorized use prohibited. ©Copyright Protected 2020.**