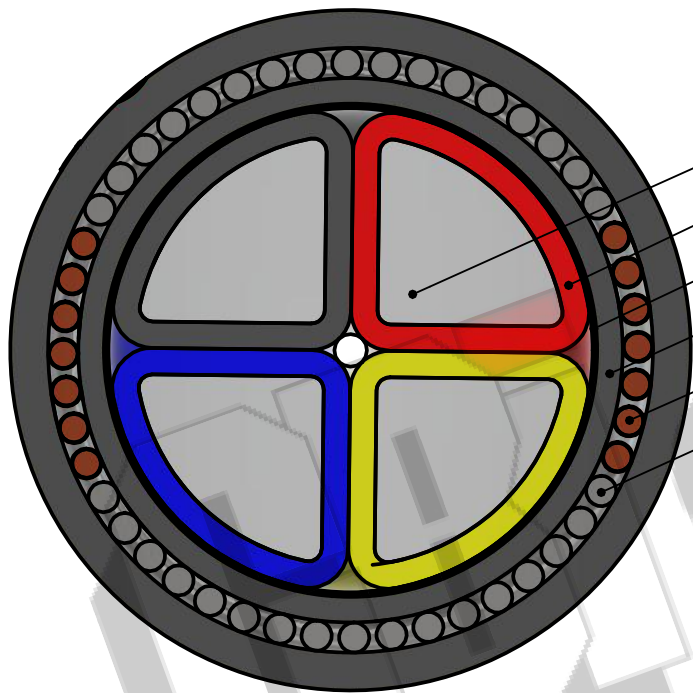
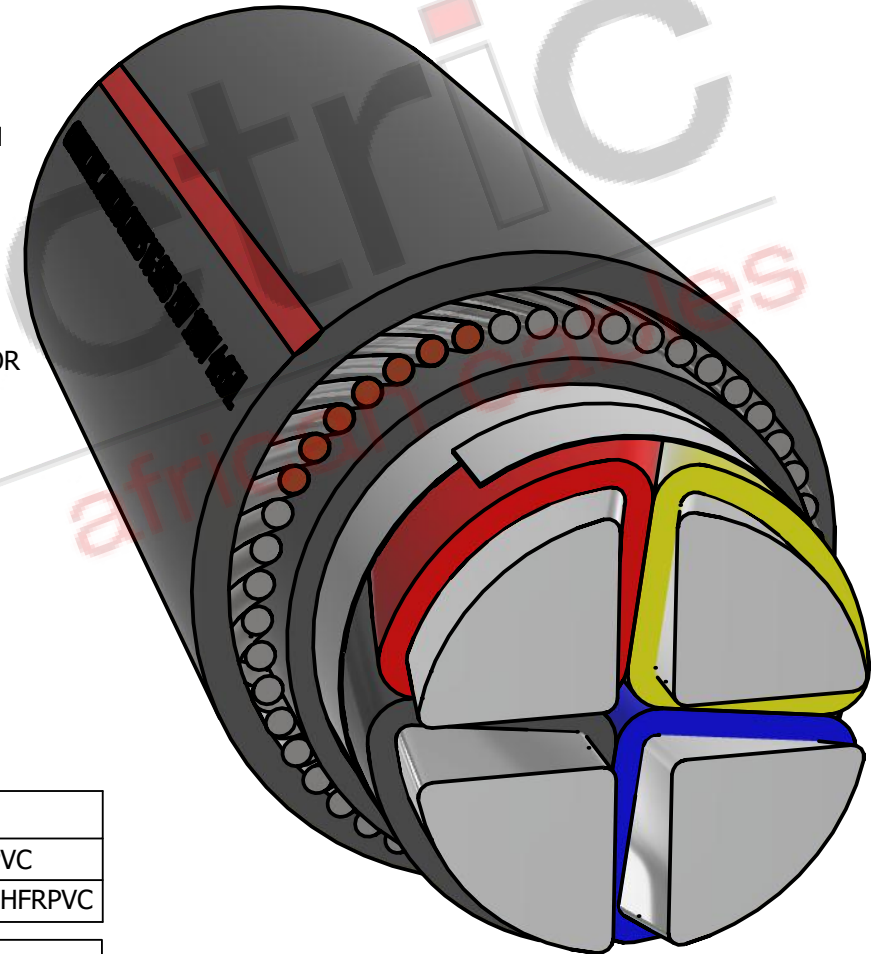


FOR PUBLIC VIEWING ONLY



SECTIONAL VIEW

- CONDUCTOR SOLID ALUMINIUM
- PVC INSULATION
- PPL BINDING TAPE
- BEDDING
- EARTH CONTINUITY CONDUCTOR
- STEEL WIRE ARMOUR



ISOMETRIC VIEW

NO.	VOLTAGE RATING	SIZE RANGE	FINISH CODE	DESCRIPTION
F4C	600/1000V	25 - 400	121	FRPVC SWA/ECC FRPVC
F4D	1900/33000V	25 - 400	222	LHFRPVC SWA/ECC LHFRPVC

No.	REVISION	SIGN	DRAWN BY	MARK V GIANI	TITLE	CABLE CODE	REV
		DATE					
			DATE	12/03/2019	PVC INSULATED SOLID FOUR CORE ARMOURED + ECC CABLE SABS 1507	F4CS4_121	D1
			CHECKED				
			APPROVED				
			DATE				

POWER BY INNOVATION ... INNOVATION THROUGH PARTNERSHIPS

 PO Box 172, Vereeniging 1930 | Steel Road, Peacehaven, Vereeniging 1939 | South Africa
 Tel: +27 16 430 6000 | Fax: +27 16 423 6103 | www.cbi-electric.com

 A member of the **REUNERT** Group
 A division of ATC (Pty) Ltd
 Registration No. 1955/003773/07

This drawing is the property of CBI electric. Unauthorized use prohibited. ©Copyright Protected 2020.