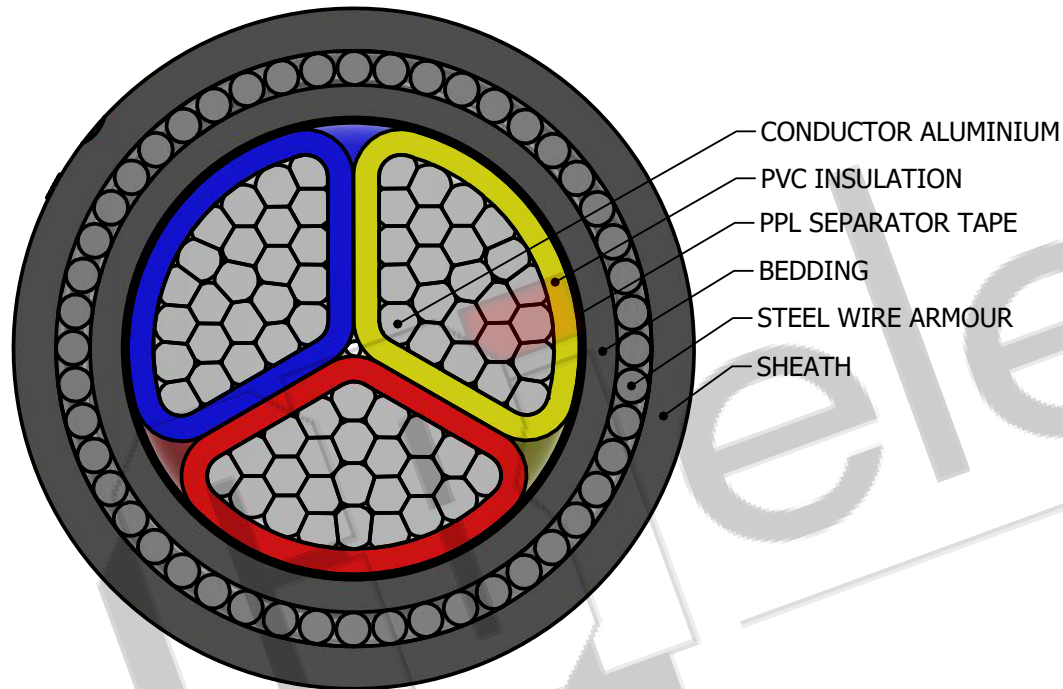
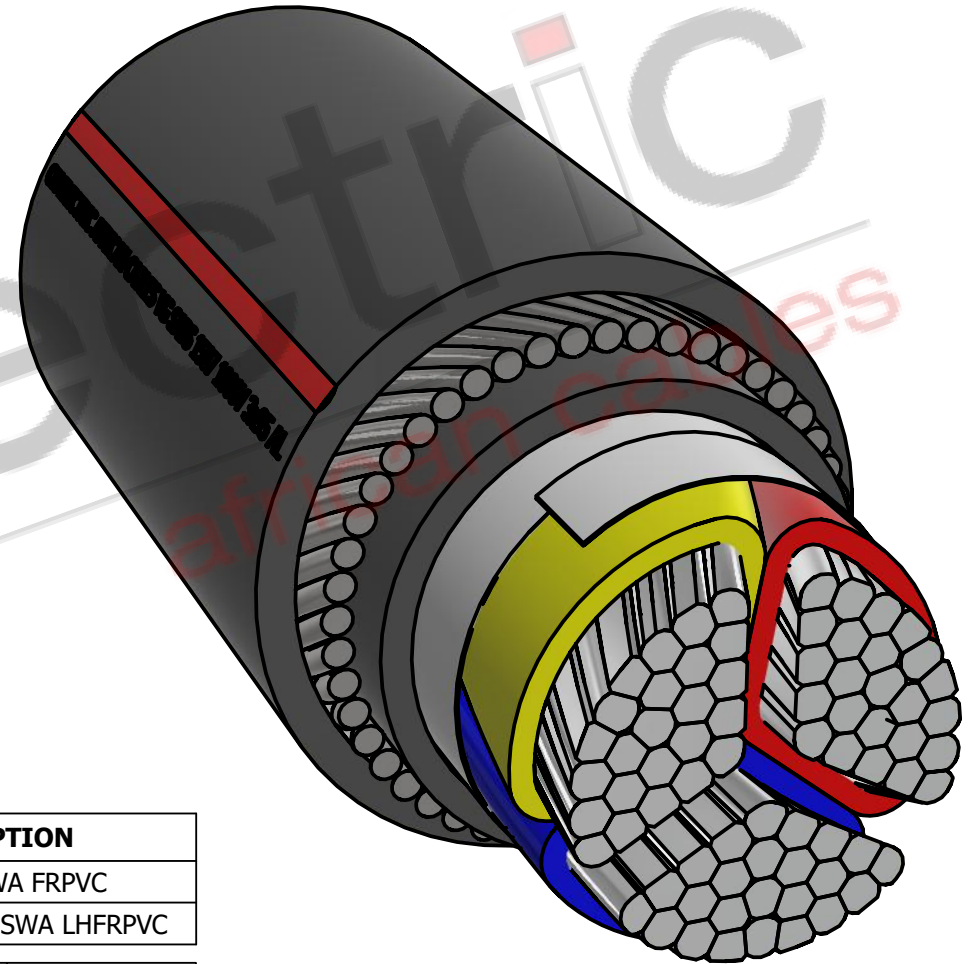


FOR PUBLIC VIEWING ONLY



SECTIONAL VIEW



ISOMETRIC VIEW

NO.	VOLTAGE RATING	SIZE RANGE	FINISH CODE	DESCRIPTION
F4C	600/1000V	25 - 400	111	FRPVC SWA FRPVC
F4D	1900/3300V	25 - 400	212	LHFRPVC SWA LHFRPVC

No.	REVISION	SIGN	DRAWN BY	MARK V GIANI	TITLE	CABLE CODE	REV	
		DATE						
					PVC INSULATED THREE CORE ARMOURED CABLE SABS 1507	F4CA3_111	D1	
				DATE				12/03/2019
				CHECKED				
				APPROVED				
				DATE				

POWER BY INNOVATION ... INNOVATION THROUGH PARTNERSHIPS

PO Box 172, Vereeniging 1930 | Steel Road, Peacehaven, Vereeniging 1939 | South Africa
Tel: +27 16 430 6000 | Fax: +27 16 423 6103 | www.cbi-electric.com

A member of the **REUNERT** Group
A division of ATC (Pty) Ltd
Registration No. 1955/003773/07

This drawing is the property of CBI electric. Unauthorized use prohibited. ©Copyright Protected 2020.