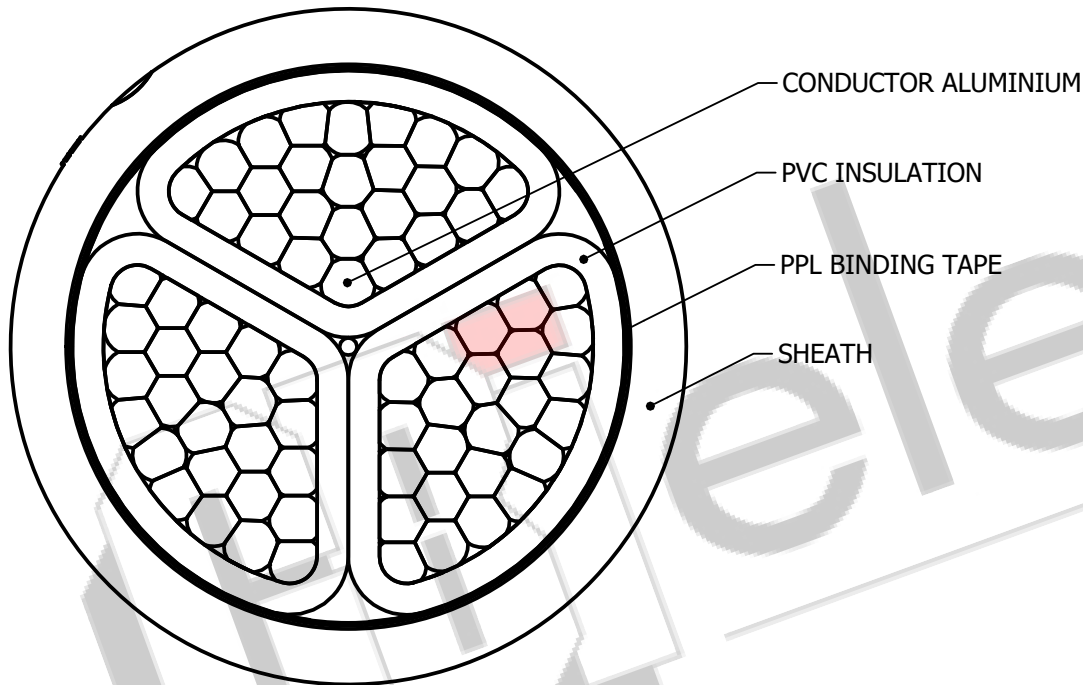
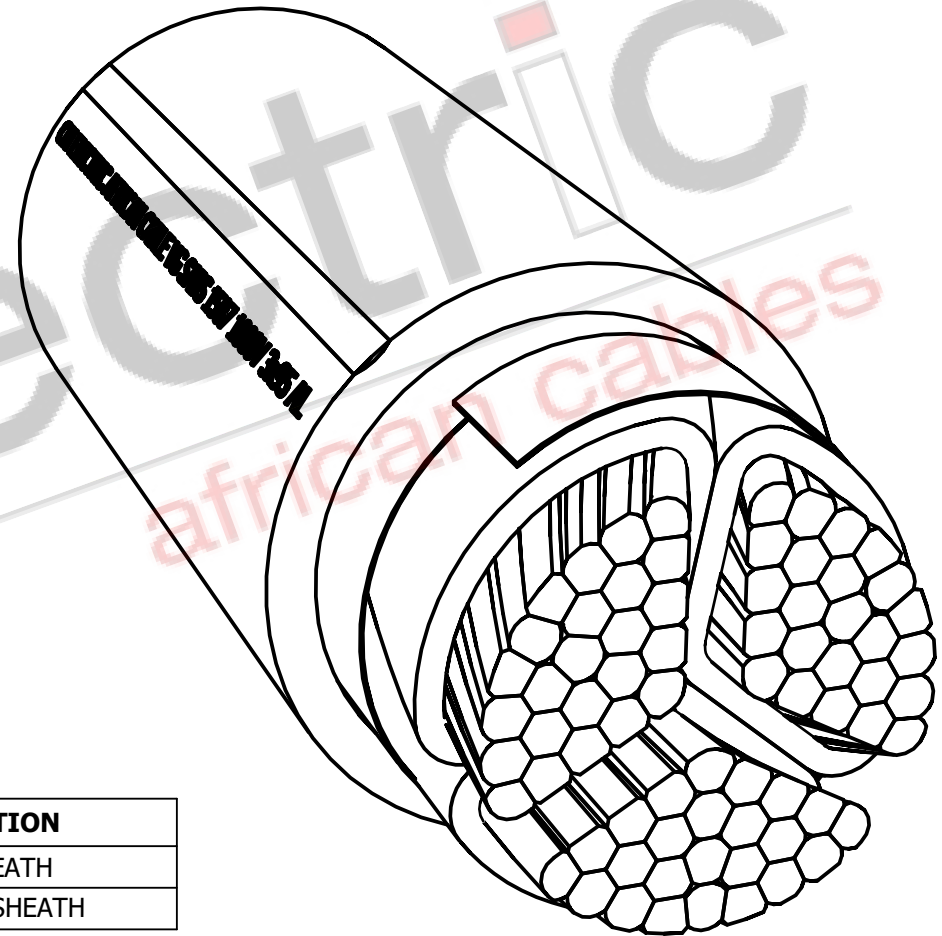


FOR PUBLIC VIEWING ONLY



SECTIONAL VIEW



ISOMETRIC VIEW

NO.	VOLTAGE RATING	SIZE RANGE	FINISH CODE	DESCRIPTION
F4C	600/1000V	25 - 400	001	FRPVC SHEATH
F4D	1900/3300V	25 - 400	002	LHFRPVC SHEATH

No.	REVISION	SIGN	DRAWN BY	MARK V GIANI	TITLE	CABLE CODE	REV
		DATE					
			DATE	08/03/2019	PVC INSULATED THREE CORE UNARMoured CABLE SABS 1507	F4CA3_001	D1
			CHECKED				
			APPROVED				
			DATE				

POWER BY INNOVATION ... INNOVATION THROUGH PARTNERSHIPS

 PO Box 172, Vereeniging 1930 | Steel Road, Peacehaven, Vereeniging 1939 | South Africa  
 Tel: +27 16 430 6000 | Fax: +27 16 423 6103 | www.cbi-electric.com

 A member of the **REUNERT** Group  
 A division of ATC (Pty) Ltd  
 Registration No. 1955/003773/07

This drawing is the property of CBI electric. Unauthorized use prohibited. ©Copyright Protected 2020.