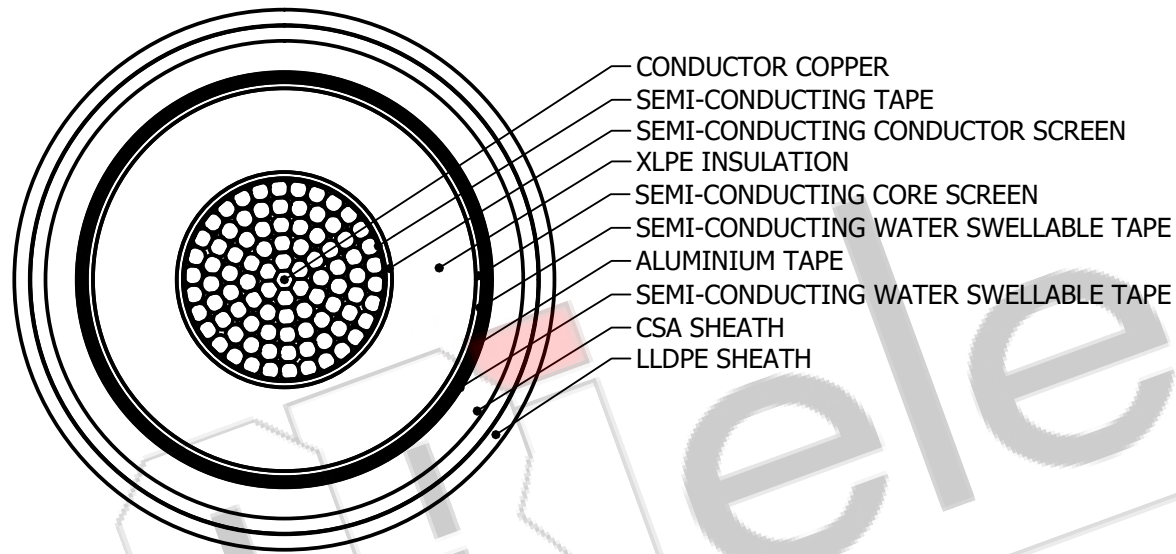
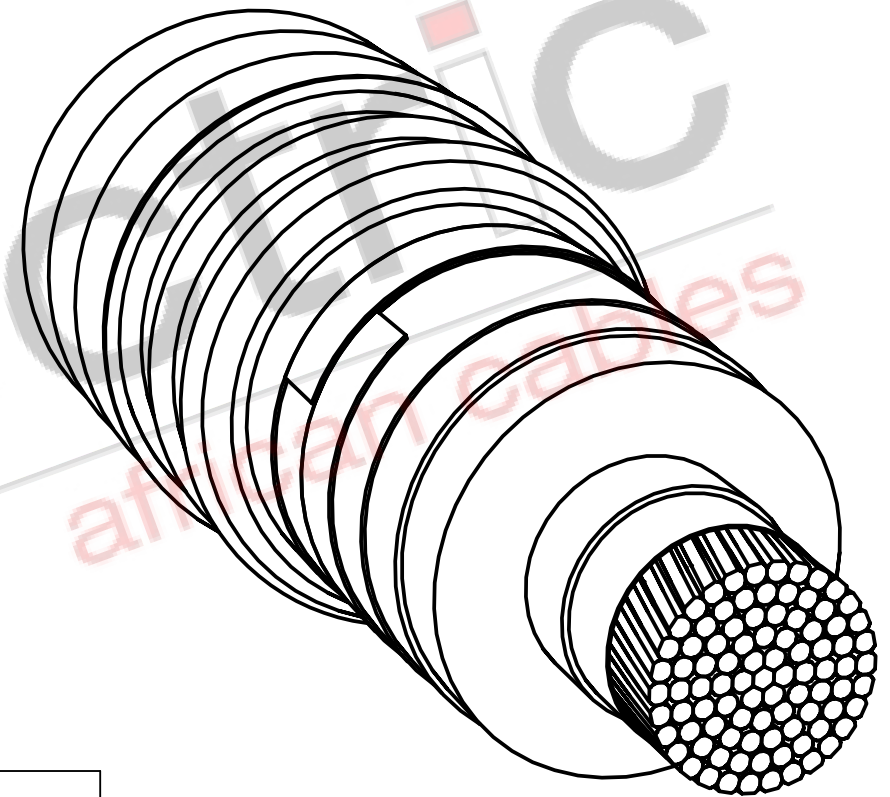


# High Voltage XLPE Cables

FOR PUBLIC VIEWING ONLY



SECTIONAL VIEW



ISOMETRIC VIEW

NO.	VOLTAGE RATING	SIZE RANGE
F2K	24000 / 42000V	300 - 1000
F2L	25000 / 44000V	300 - 1000
F2M	38000 / 66000V	300 - 1000
F2N	51000 / 88000V	300 - 1000
F2P	76000 / 132000V	300 - 1000

FINISH CODE	DESCRIPTION
068	CSA, LLDPE SHEATH

NO.	REVISION	SIGN	DRAWN BY	MARK V GIANI	TITLE	CABLE CODE	REV
		DATE					
					HV XLPE INSULATED CSA SHEATH, LLDPE SHEATHED SINGLE CORE CABLE SABS 60840	F2_1_068	D1
			DATE	02/04/2019			
			CHECKED				
			APPROVED				
			DATE				

**POWER BY INNOVATION ... INNOVATION THROUGH PARTNERSHIPS**

PO Box 172, Vereeniging 1930 | Steel Road, Peacehaven, Vereeniging 1939 | South Africa  
Tel: +27 16 430 6000 | Fax: +27 16 423 6103 | www.cbi-electric.com

**B-BBEE Level 1**

A member of the **REUNERT** Group  
A division of ATC (Pty) Ltd  
Registration No. 1955/003773/07